



CC-Bus AS-Interface 930

AS-I 现场总线电缆

ConCab kabel gmbh

ConCab kabel Mainhardt AS-I BUS 930 CE

ConCab kabel Mainhardt AS-I BUS 930 CE



应用领域

Actuator-Sensor-Interface (AS-I) 用于网络系统中自动化和通信技术。该扁电缆由两根非屏蔽芯线组成，传输数据和能量。利用特殊技术 AS-I 模块的尖针穿过外护套和芯线绝缘层来连接。

application

The Sensor-Actuator-Interface-Cable (AS-I) is used in network systems for the lowest field level of automation and communication technology. This flat cable consists of two unshielded cores which transmit the data and energy. The contact is made by special technology by piercing through the outer sheath and core insulation within the AS-I modules.

构造

PVC/TPE

镀锡铜丝精绞，PVC 芯线绝缘，芯线颜色蓝色和棕色。TPE 外护套。

PP/PUR halogenfrei

裸铜丝精绞，PP 芯线绝缘，芯线颜色蓝色和棕色。PUR 外护套。

PVC/PVC *

镀锡铜丝精绞，PVC 芯线绝缘，芯线颜色蓝色和棕色。PVC 外护套。阻燃和自熄符合 UL VW-1.

Gummi EPDM *

裸铜丝多股精绞，橡胶芯线绝缘，芯线颜色蓝色和棕色。EPDM 外护套。

construction

PVC/TPE

Fine strands of tinned copper wires, PVC core insulation, core colours blue and brown. Polyester (TPE) outer sheath.

PP/PUR halogen-free

Fine strands of bare copper wires, PP core insulation, core colours blue and brown, PUR outer sheath.

PVC/PVC *

Fine strands of tinned copper wires, PVC core insulation, core colours blue and brown. PVC outer sheath. flame retardant and self-extinguishing acc. UL VW-1.

Rubber EPDM *

Fine strands of bare copper wires, rubber based core insulation, core colours blue and brown. EPDM outer sheath

技术数据 / technical data

额定电压 / rated voltage:

300 V

测试电压 / test voltage:

2.000 V

导体绞合方式 / conductor stranding:

符合 / acc. to DIN VDE 0295, 6 类标准 / class 6

绝缘阻抗 / insulation resistance:

min. 20 MOhm x km

温度范围 / temperature range:

固定安装 / fixed installation: -40° C 至 /to +80° C

移动安装 / flexible installation: -20° C 至 /to +80° C

弯曲半径 / bending radius:

固定安装 / fixed installation: 7,5 x D 电缆厚度 / cable thickness

移动安装 / flexible installation: 10 x D 电缆厚度 / cable thickness

符合标准 / approvals:

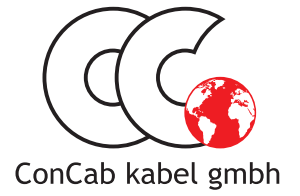
UL: Style 2103

* 不推荐用于动力拖链 /

* not recommended for power supply chains

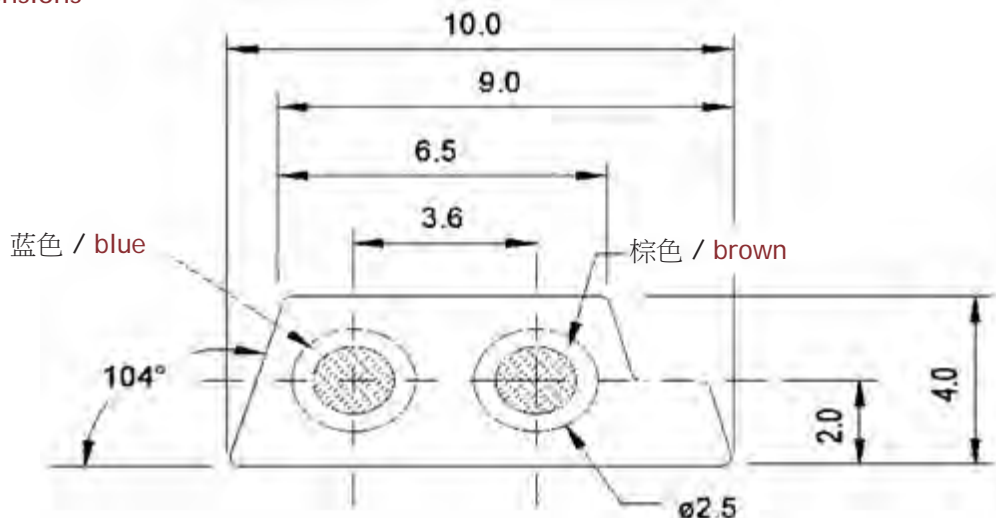
CC-Bus AS-Interface 930

AS-I fieldbus cable



物料编码 part-no.	芯线数 + 导体截面积 no. of cores + cross-section	外护套 颜色 outer sheath colour	铜重 copper weight kg/km	电缆重量 weight kg/km
PVC/TPE 用于动力拖链 / for power supply chains				
930 215 10	CC-Bus AS-I 2 x 1,5	黑色 / black	29	55
930 215 19	CC-Bus AS-I 2 x 1,5	黄色 / yellow	29	55
PVC/PVC ®				
930 2215 10	CC-Bus AS-I 2 x 1,5	黑色 / black	29	55
930 2215 19	CC-Bus AS-I 2 x 1,5	黄色 / yellow	29	55
PP/PUR 用于动力拖链 / for power supply chains				
930 5215 10	CC-Bus AS-I 2 x 1,5	黑色 / black	29	55
930 5215 19	CC-Bus AS-I 2 x 1,5	黄色 / yellow	29	55
橡胶 EPDM / Rubber EPDM				
930 7215 10	CC-Bus AS-I 2 x 1,5	黑色 / black	29	55
930 7215 19	CC-Bus AS-I 2 x 1,5	黄色 / yellow	29	55

尺寸 / dimensions



所有单位都为 mm/ all values in mm

robust cables
Schleppflex®
BUS cables
control cables
data cables
IT/communic.
high-temp.
lift cables
rubber cables
single cores
spiral cables
accessories
technical annex